

GXL-GC05-CR Glass Hinge Bracket

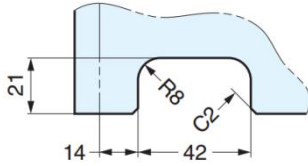
Features

- Top board hinge bracket for glass cabinet
- To be used with **GXL-GC04-CR**

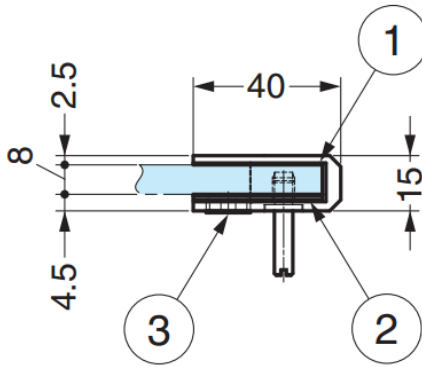
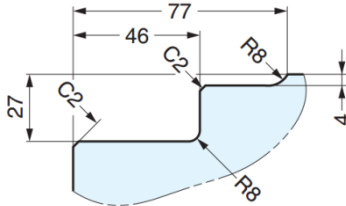
Material

- Zinc alloy, chrome

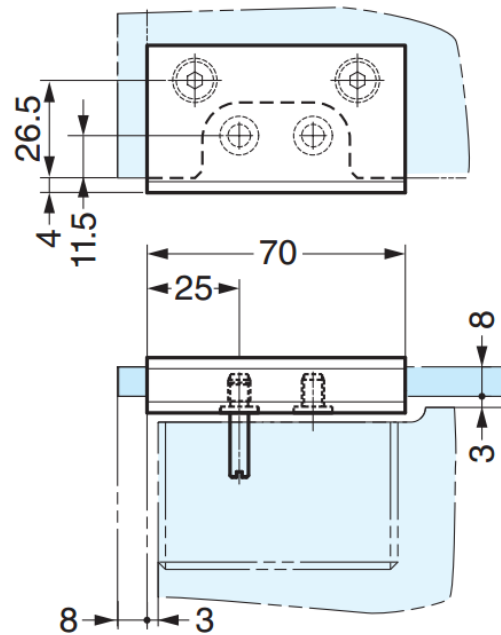
Cut Out Dimensions (Top Board)



Cut Out Dimensions (Glass Door)



GXL-GC05-L-CR



No.	Part Name	Material	Finish/Colour
①	Body	Zinc Alloy (ZDC)	Chrome
②	Spacer	Polyvinyl Chloride Resin (PVC)	Clear
③	Screw	Stainless Steel (SUS304)	Plain

Part No.	Type	Glass Thickness
GXL-GC05-R-CR	Right	8
GXL-GC05-L-CR	Left	